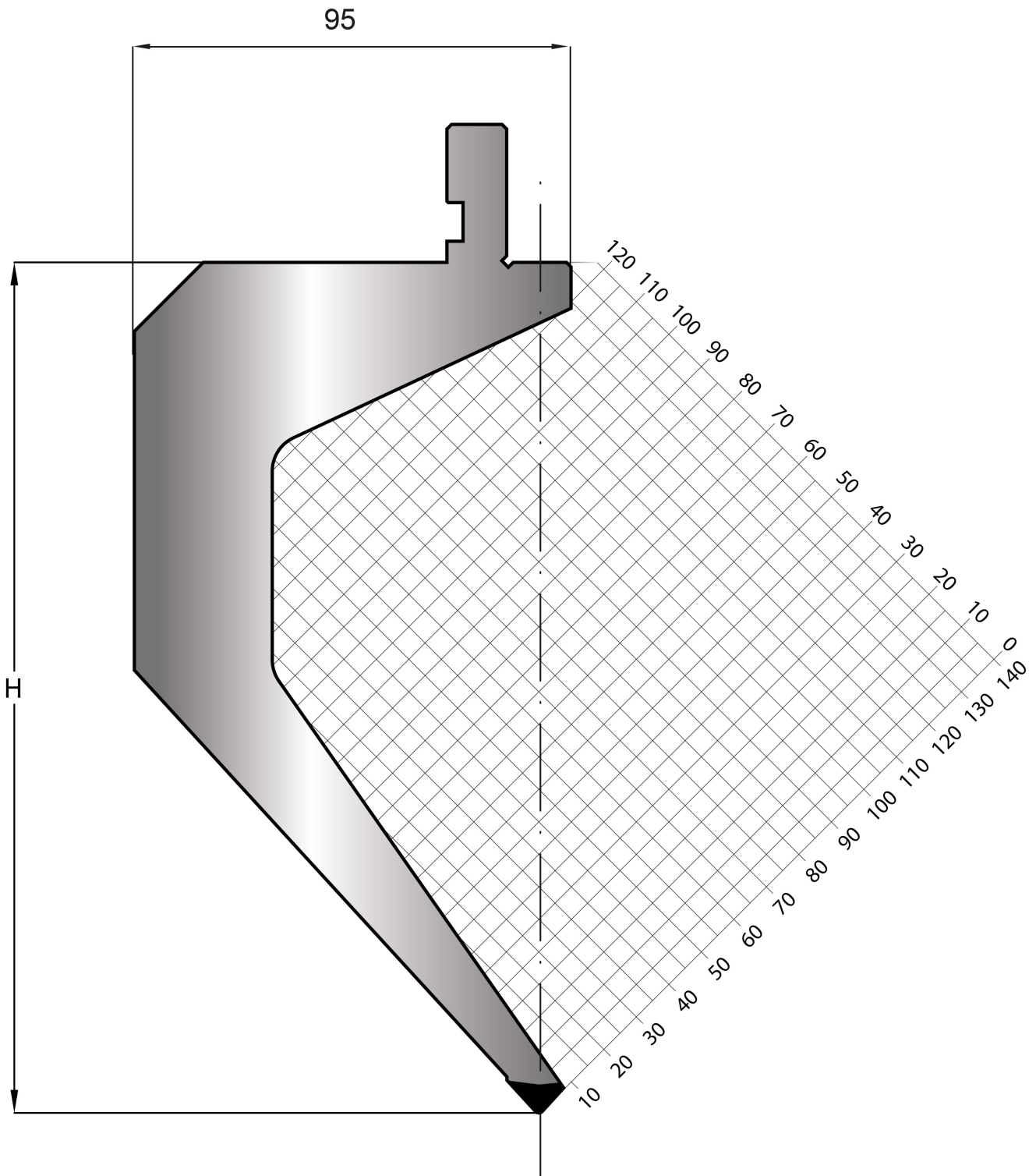


| CODE | α | R | H | T/Mt | Mt |
|--------|----------|---|--------|------|----|
| 11.850 | 85° | 1 | 185.00 | 40 | |

85°



LENGTH | 505
SECTION | 500

