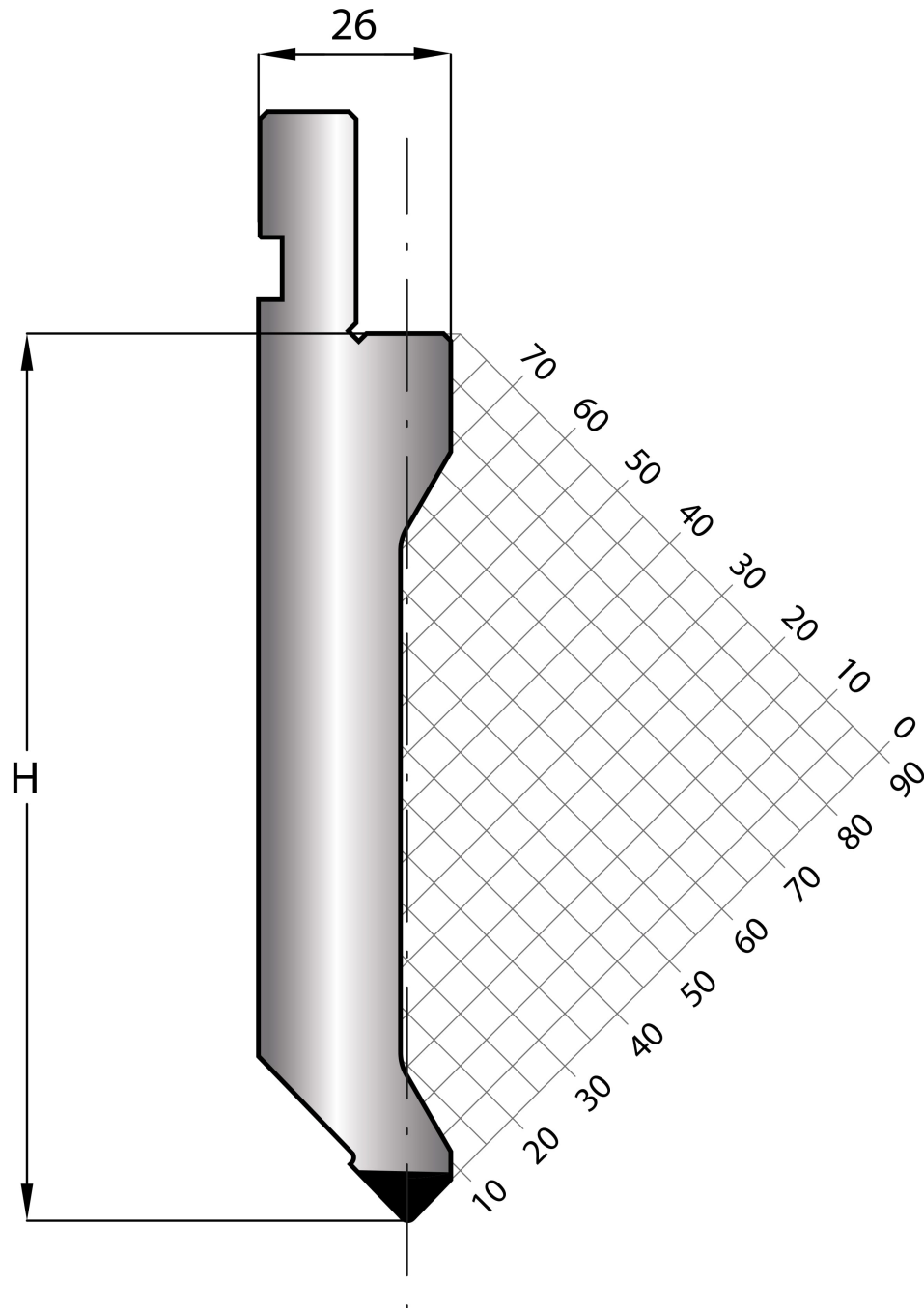


CODE	α	R	H	T/Mt	Mt
11.235	88°	1	120.00	100	

88°



LENGTH	415	835
SECTION	805	

